

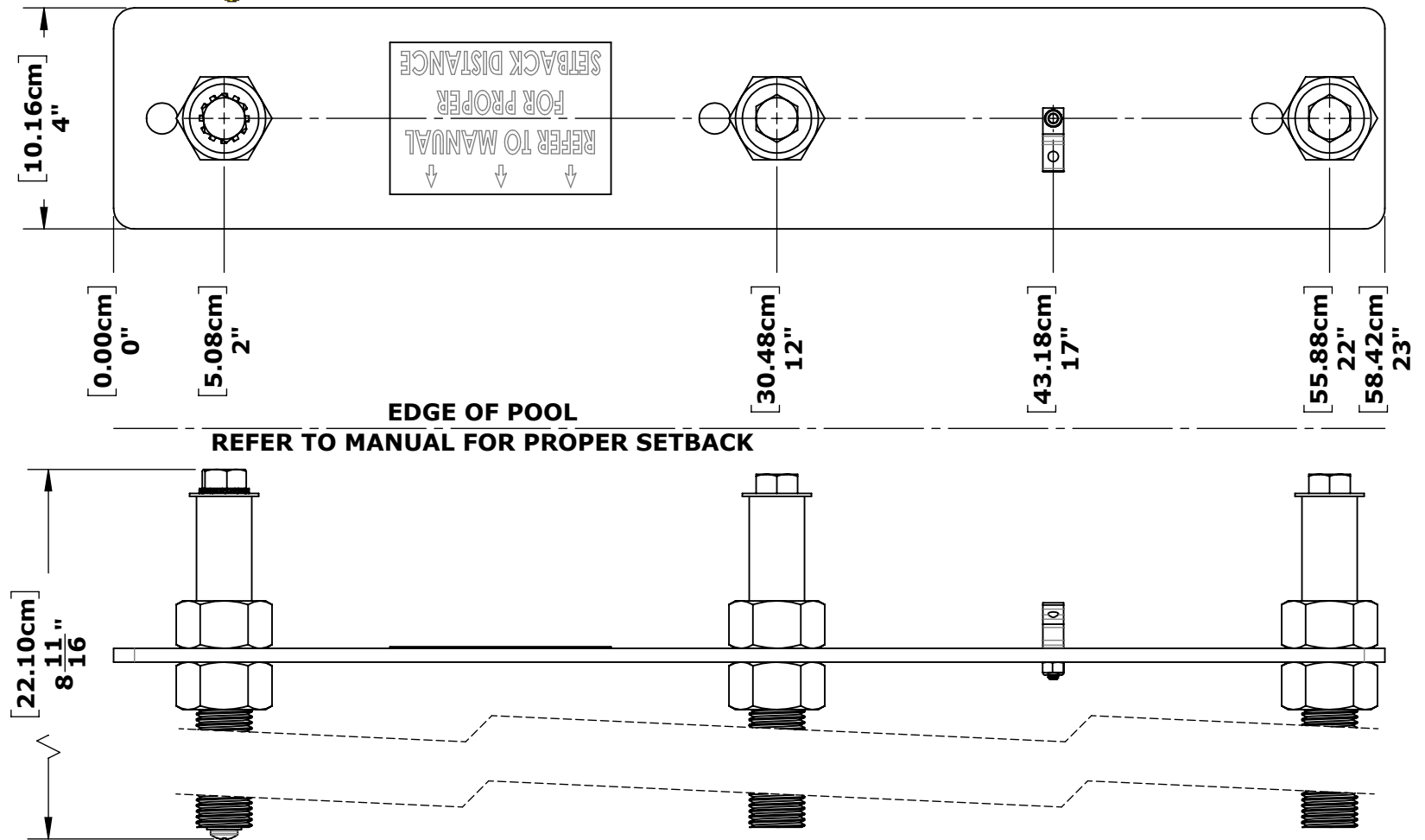
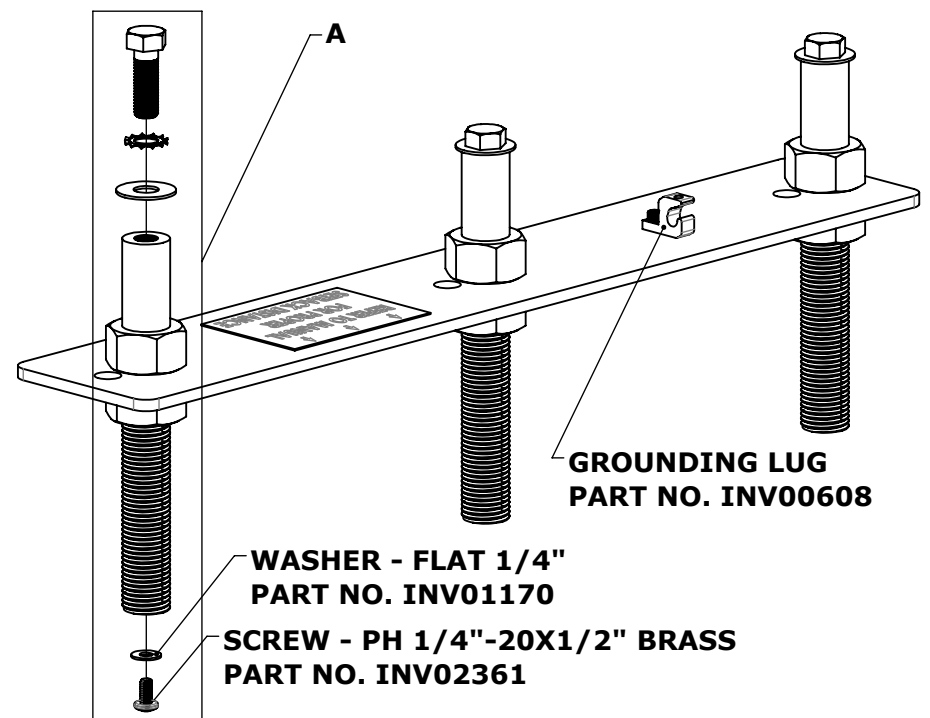
BOLT - HEX 1/2"-13X1 1/2"
PART NO. INV00388

WASHER - ET 1/2"
PART NO. INV01188

WASHER - FLAT 1/2"
PART NO. INV01169

ANCHOR - 1" DIA X 8" LNG. BONDABLE
PART NO. INV01581

NUT - HEX 1"-8 ZINC
PART NO. INV00723



DETAIL A
SCALE 1 : 2

PURPOSE:
FOR NEW OR RETROFIT INSTALLATION OF THE ADA COMPLIANT POOL AND SPA LIFT ON IN-GROUND OR PARTIALLY RAISED POOLS AND SPAS. FOLLOW PRODUCT INSTALLATION INSTRUCTIONS.

TESTING & SAFETY:
INDEPENDENTLY VERIFIED TO MEET 2009 INTERNATIONAL BUILDING CODE, THE 2010 CALIFORNIA BUILDING CODE, AND ASCE7-05 WITH A SAFETY FACTOR OF 1.2 FOR THE DEAD LOAD AND 1.6 FOR THE LIVE LOAD WHEN INSTALLED ACCORDING TO INSTRUCTIONS. STRUCTURAL CALCULATIONS AVAILABLE UPON REQUEST.

INSTALLATION:
FOR INSTALLATION INTO REBAR REINFORCED, CONCRETE POOL DECKS NO SMALLER THAN 3'-6" SQUARE BY 6" DEEP. REFER TO LIFT INSTALLATION INSTRUCTIONS FOR SPECIFICS. MUST BE BONDED ACCORDING TO THE NEC ARTICLE 680. OTHER CODES MAY APPLY; CHECK YOUR LOCAL CODE ENFORCEMENT AGENCY FOR SPECIFICS AND PERMIT REQUIREMENTS.

MATERIAL: STEEL
FINISH: MILL
APPROX. WEIGHT: 13.31 LBS.

ANCHOR - EMBEDDED 8IN
OPTIONS/ACCESSORIES
PART NO. F-910SAJP-8

TOLERANCES
DIMENSIONS ARE IN INCHES UNLESS OTHERWISE SHOWN
FRACTIONAL: ±1/16
ANGULAR: ±1°
TWO PLACE DECIMAL: ±.01
THREE PLACE DECIMAL: .. ±.005



9889 GARRYMORE LANE
MISSOULA, MT 59808
(406) 549-0769
FAX (406) 549-2602
www.AquaCreek.com

PROPRIETARY AND CONFIDENTIAL INFORMATION
THIS DRAWING AND ALL INFORMATION CONTAINED HEREIN IS THE SOLE PROPERTY OF AQUA CREEK PRODUCTS LLC. ANY REPRODUCTION IN PART OR AS A WHOLE WITHOUT WRITTEN PERMISSION FROM AQUA CREEK IS PROHIBITED.

REVISIONS			
REV.	DESCRIPTION	DATE	APPROVED
P1	PRODUCTION RELEASE	5/28/2021	J.MAXWELL